

# Cat<sup>®</sup> GH800

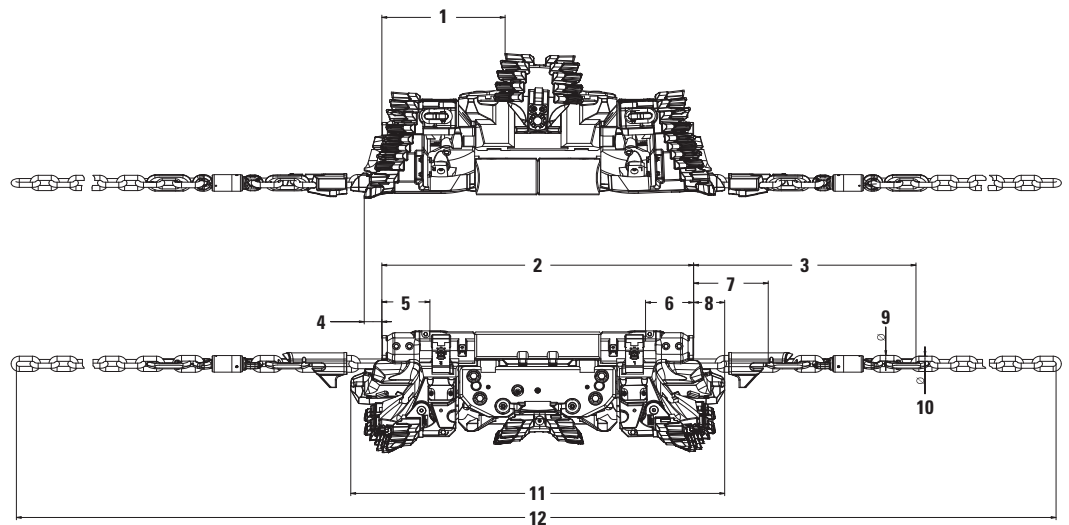
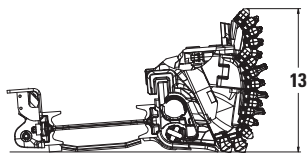
## AUTOMATED PLOW SYSTEM

### Specifications

#### Technical Data

Plow Length – Single Plow	2712 mm	8.89 ft	Weights		
Plow Heights	800-1060 mm	2.62-3.47 ft	Single Plow	4080-6630 kg	8,995-14,616 lb
	1020-1320 mm	3.34-4.33 ft	Bottom Bit Positions		
	1285-1585 mm	4.21-5.20 ft	Position 1	+12 mm	+0.04 ft
Plow Heights (with gobside support)	1570-1735 mm	5.15-5.69 ft	Position 2	-10 mm	-0.03 ft
	1700-2000 mm	5.57-6.56 ft	Position 3	-20 mm	-0.06 ft
Mechanical Height Adjustment	180-300 mm	0.59-0.98 ft	Position 4	-34 mm	-0.11 ft
Cutting Depth	195 mm	0.64 ft	Maximum Drive Power	2 × 400 kW	2 × 536 hp

Stageless Height Adjustment  
Adjustable Range 260 mm (0.89 ft)  
10 Revolutions = 25 mm (0.08 ft) Pass



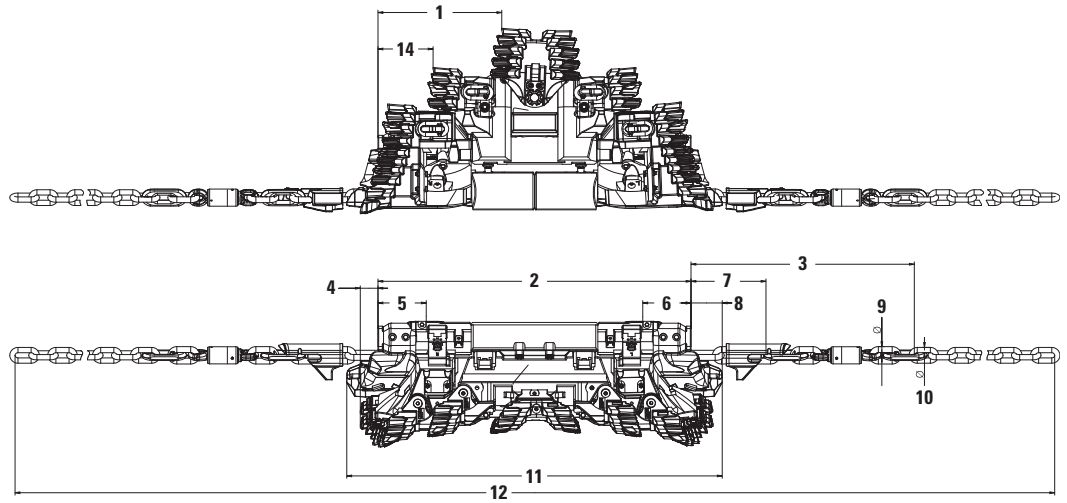
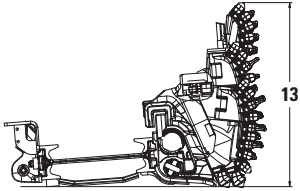
#### Dimensions – Plow Body Setup Option 1 (All dimensions are approximate.)

1	894 mm	2.93 ft	8	226 mm	0.74 ft
2	2261 mm	7.41 ft	9	42 mm	0.14 ft
3	1613 mm	5.29 ft	10	38 mm	0.24 ft
4	128 mm	0.41 ft	11	2712 mm	8.89 ft
5	349 mm	1.14 ft	12	14 529 mm	47.67 ft
6	349 mm	1.14 ft	13	1060 mm	3.47 ft
7	541 mm	1.77 ft			



# GH800 Automated Plow System

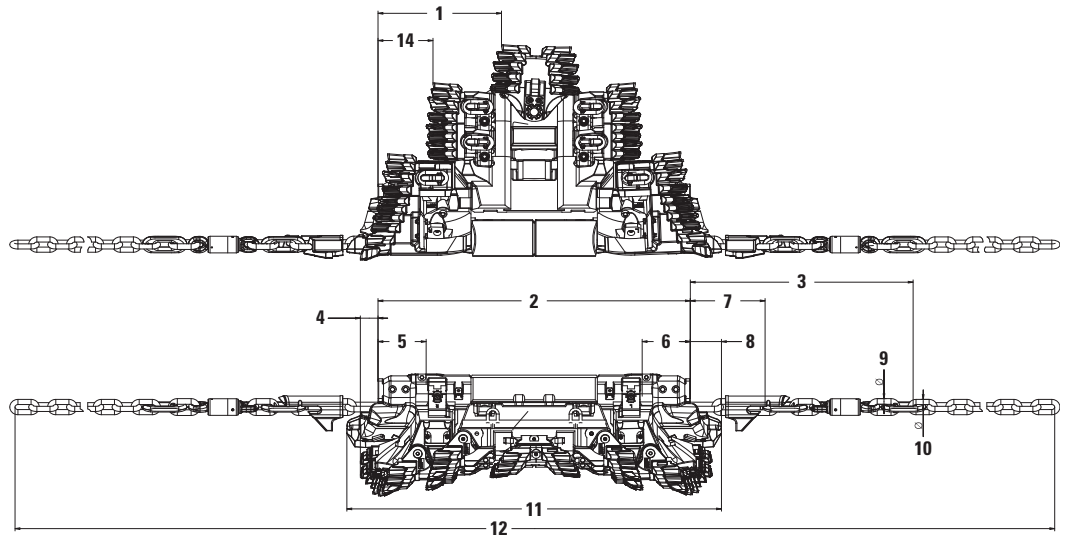
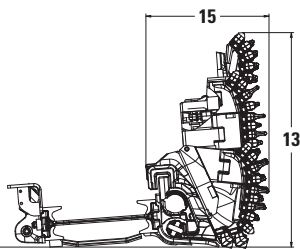
Stageless Height Adjustment  
 Adjustable Range 300 mm (0.98 ft)  
 10 Revolutions = 25 mm (0.08 ft) Pass



## Dimensions – Plow Body Setup Option 2 (All dimensions are approximate.)

1	894 mm	2.93 ft	8	226 mm	0.74 ft
2	2261 mm	7.41 ft	9	42 mm	0.14 ft
3	1613 mm	5.29 ft	10	38 mm	0.24 ft
4	128 mm	0.41 ft	11	2712 mm	8.89 ft
5	349 mm	1.14 ft	12	14 529 mm	47.67 ft
6	349 mm	1.14 ft	13	1320 mm	4.33 ft
7	541 mm	1.77 ft	14	398 mm	1.31 ft

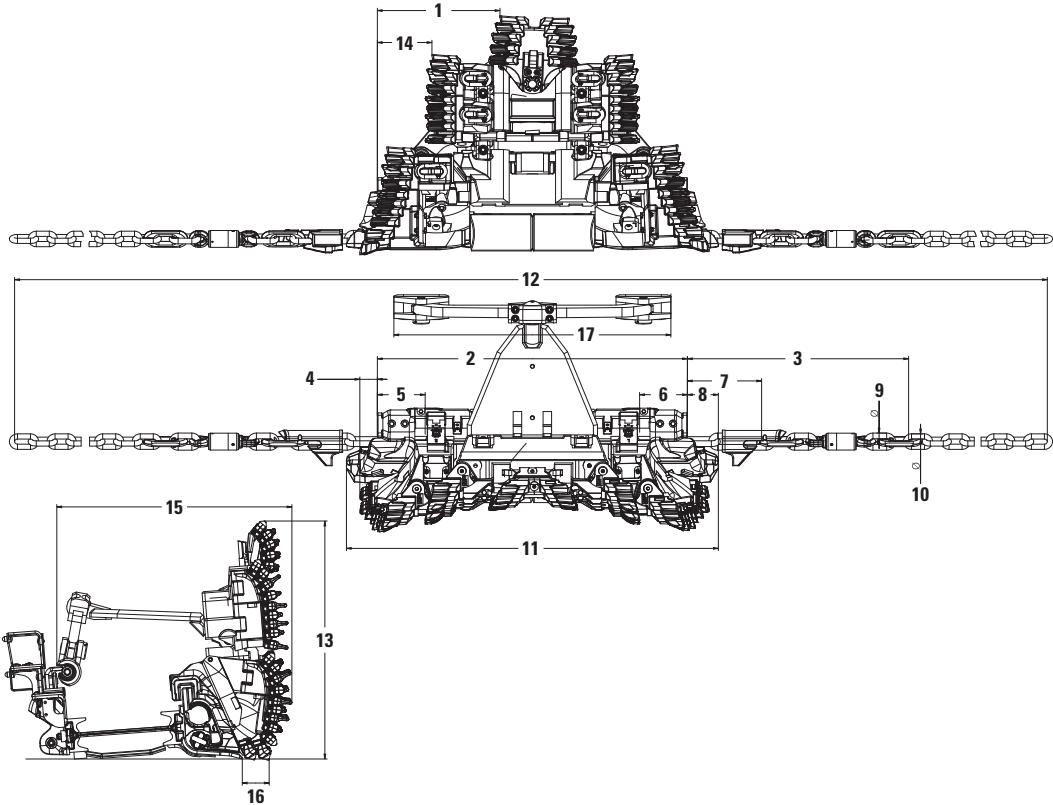
Stageless Height Adjustment  
 Adjustable Range 300 mm (0.98 ft)  
 10 Revolutions = 25 mm (0.08 ft) Pass



## Dimensions – Plow Body Setup Option 3 (All dimensions are approximate.)

1	894 mm	2.93 ft	9	42 mm	0.14 ft
2	2261 mm	7.41 ft	10	38 mm	0.24 ft
3	1613 mm	5.29 ft	11	2712 mm	8.89 ft
4	128 mm	0.41 ft	12	14 529 mm	47.67 ft
5	349 mm	1.14 ft	13	1585 mm	5.20 ft
6	349 mm	1.14 ft	14	398 mm	1.31 ft
7	541 mm	1.77 ft	15	891 mm	2.92 ft
8	226 mm	0.74 ft			

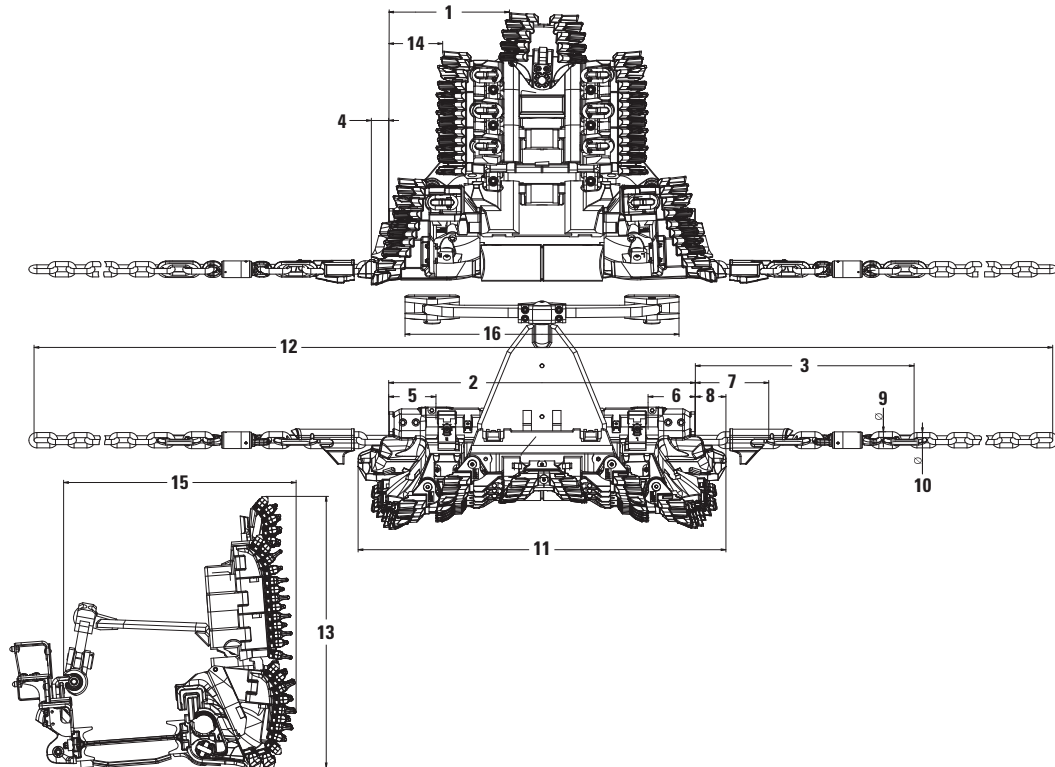
# GH800 Automated Plow System



**Dimensions – Plow Body Setup Option 4** (All dimensions are approximate.)

<b>1</b>	894 mm	2.93 ft	<b>10</b>	38 mm	0.24 ft
<b>2</b>	2261 mm	7.41 ft	<b>11</b>	2712 mm	8.89 ft
<b>3</b>	1613 mm	5.29 ft	<b>12</b>	14 529 mm	47.67 ft
<b>4</b>	128 mm	0.41 ft	<b>13</b>	1735 mm	5.69 ft
<b>5</b>	349 mm	1.14 ft	<b>14</b>	398 mm	1.31 ft
<b>6</b>	349 mm	1.14 ft	<b>15</b>	1714 mm	5.62 ft
<b>7</b>	541 mm	1.77 ft	<b>16</b>	196 mm	0.64 ft
<b>8</b>	226 mm	0.74 ft	<b>17</b>	2020 mm	6.62 ft
<b>9</b>	42 mm	0.14 ft			

# GH800 Automated Plow System



**Dimensions – Plow Body Setup Option 5** (All dimensions are approximate.)

<b>1</b>	894 mm	2.93 ft	<b>9</b>	42 mm	0.14 ft
<b>2</b>	2261 mm	7.41 ft	<b>10</b>	38 mm	0.24 ft
<b>3</b>	1613 mm	5.29 ft	<b>11</b>	2712 mm	8.89 ft
<b>4</b>	128 mm	0.41 ft	<b>12</b>	14 529 mm	47.67 ft
<b>5</b>	348.5 mm	1.14 ft	<b>13</b>	2000 mm	6.56 ft
<b>6</b>	348.5 mm	1.14 ft	<b>14</b>	398 mm	1.31 ft
<b>7</b>	541 mm	1.77 ft	<b>15</b>	1714 mm	5.62 ft
<b>8</b>	225.5 mm	0.73 ft	<b>16</b>	2020 mm	6.62 ft

For more complete information on Cat® products, dealer services, and industry solutions, visit us on the web at [www.cat.com](http://www.cat.com)

AEHQ6936 (12-12)

© 2012 Caterpillar  
All Rights Reserved  
Printed in U.S.A.

Materials and specifications are subject to change without notice. Featured machines in photos may include additional equipment. See your Cat dealer for available options.

CAT, CATERPILLAR, SAFETY.CAT.COM, their respective logos, "Caterpillar Yellow" and the "Power Edge" trade dress, as well as corporate and product identity used herein, are trademarks of Caterpillar and may not be used without permission.

